



## PIPETTE INTERFACE

The pipette interface gently guides 50  $\mu\text{L}$ , 200  $\mu\text{L}$ , or 1000  $\mu\text{L}$  pipette tips into an elastomer seal, creating a leak-free connection to your custom microfluidic device for liquid pressures up to 5 bar. Optimized for 4.5 mm spacing, it maintains compatibility with 384 well plate standards.

### Product information

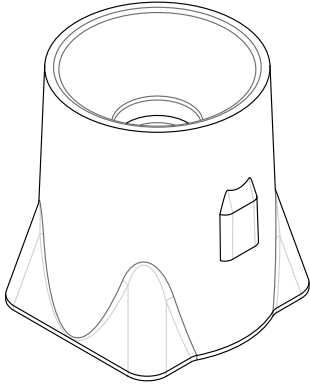
Overall dimensions	4.4 × 4.4 × 5.0 mm
Body material	COP, PMMA, or PC
Wetted material	COC elastomer
Internal volume*	0.5 $\mu\text{L}$ - 1.2 $\mu\text{L}$
Compatible media	Aqueous solutions, polar organic solvents, acids and bases, fluorinated oils and surfactants
Device assembly method	Laser welded

### Performance Specifications

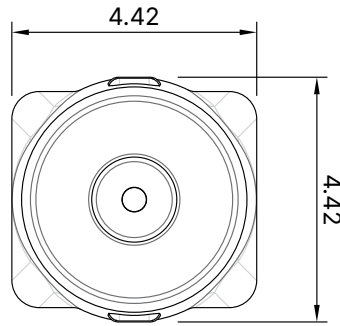
Maximum working pressure	5 bar
Maximum operating temperature	45 °C
Expected lifetime	>100 mating cycles
Compatible pipette tip sizes	50 $\mu\text{L}$ - 1000 $\mu\text{L}$
Insertion depth tolerance	± .2 mm
Lateral position tolerance	± .7 mm

\* Internal volume is dependent on tip diameter and insertion depth

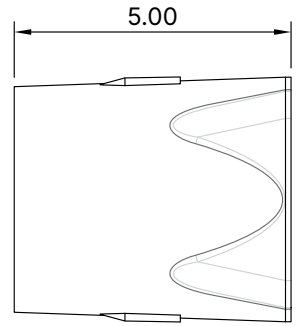
**Product Dimensions**



Dimensions in millimeters  
CAD available upon request



**TOP**



**SIDE**